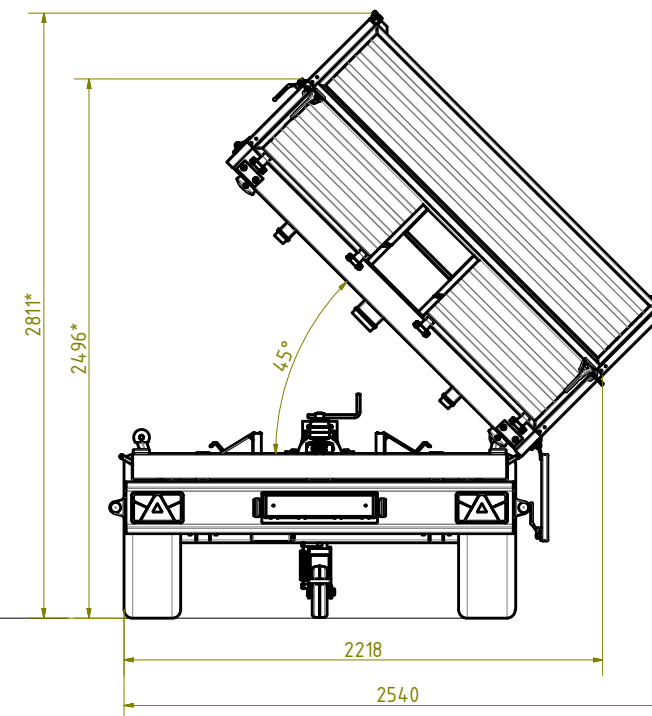
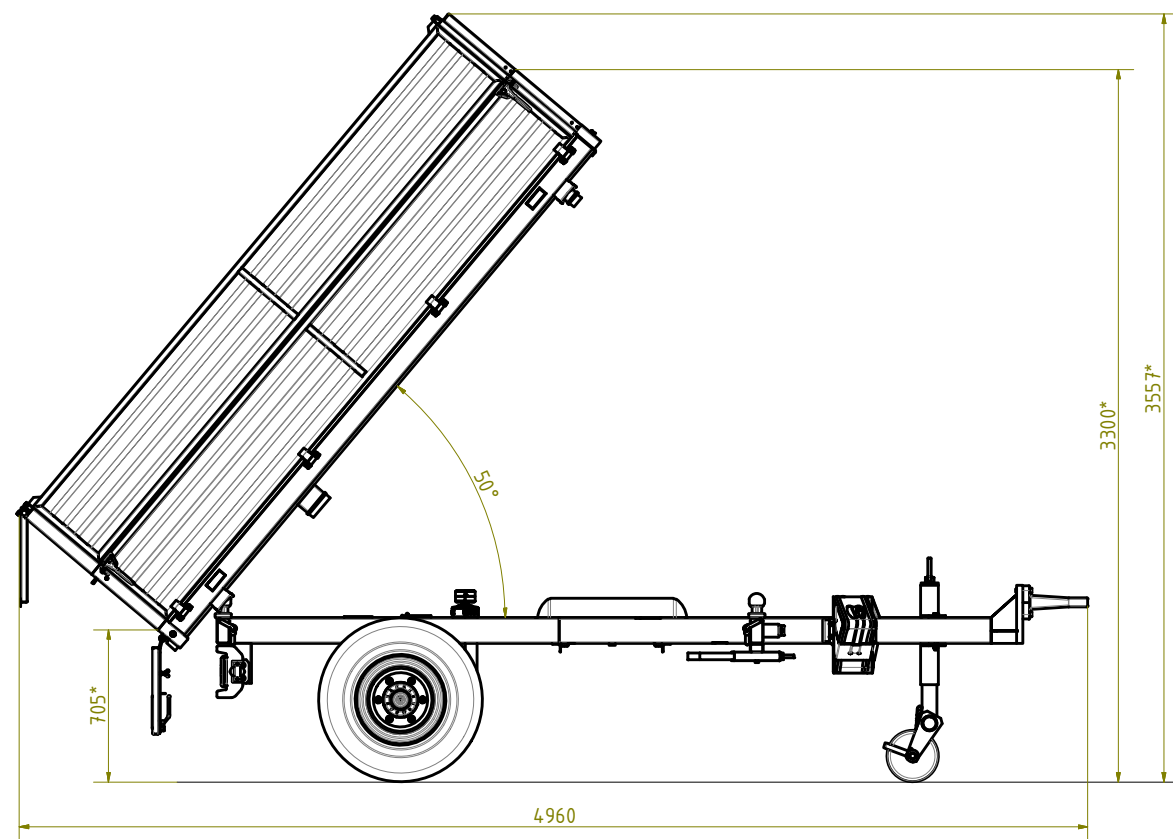


(*) VALUE FOR TYRES 10.0/75x15.3
 (**) VALUE IN DEPEND OF EQUIPMENT AND TYRES

BASIC TECHNICAL PARAMETERS	
TYPE OF DRAWBAR SUSPENSION	UNSPRUNG
TYPE OF AXLE(S) SUSPENSION	UNSPRUNG
TRACK [mm]	1550
WHEEL BASE [mm]	-
MAX. ALLOWED SPEED [km/h]	25
OIL REQUIREMENTS [l]	4,1
TYRES AND DISCS	ACCORDING TO CHART
CONNECT DIMENSION OF DISC [mm]	Ø 160 / Ø 205
NUMBERS/ DIMENSIONS WHEEL SCREWS	6/M18x1,5
TYPE OF CONNECTION DEVICE	TOWING EYE Ø 40



BASIC OUTSIDE DIMENSIONS	
LENGTH [mm]	4350
WIDTH [mm]	2033
HEIGHT [mm]: BASIC (*)	1384
WITH EXTENSION (*)	1830
HEIGHT OF CONNECT.DEVICE ABOVE GROUND [mm] (*)	720-830
DIMENSIONS AND PARAMETERS OF BODY FLOOR	
LENGTH [mm]	2950
WIDTH [mm]	1870
BASIC HEIGHT OF SIDES [mm]	400
HEIGHT OF EXTENSION [mm]	400
BODY VOLUME [m³]: BASIC	2,2
WITH EXTENSION	4,4
PLATE THICKNESS FLOOR/ SIDES [mm]	3/1,5
TIPP ANGLE TO BACK/ TO SIDE [°]	50/45
HEIGHT DURING TIPPING [mm]:	
TO BACK (WITHOUT/ WITH EXTENSION) (*)	3300/3557
TO SIDE (WITHOUT/ WITH EXTENSION) (*)	2496/2811

WEIGHTS	
SERVICE (WITH/ WITHOUT EXT.) [kg] (**)	880/1000
PAYLOAD (WITH/ WITHOUT EXT.) [kg] (**)	3010/2890
HIGHEST ALLOWED/ TECHNICAL PERMISSIBLE [kg]	3890/4000
MAX. DRAWBAR LOAD [kg]	500

ALTERNATIVES OF USED TYRES			
TYRE	DISC	TYRE DIAMETER [mm]	TYRE WIDTH [mm]
10.0/75-15.3	9.00x15.3	760	264

DRAWN: ING. HALAMA CONTROLLED: ING. PIKULA
 DATE: 27.03.2018
 PRODUCT: THREE WAY TIPPING SEMITRAILER

TYPE NAME: NS4.3 REVISION: 180511
 COMMERCIAL NAME: NS4.3

