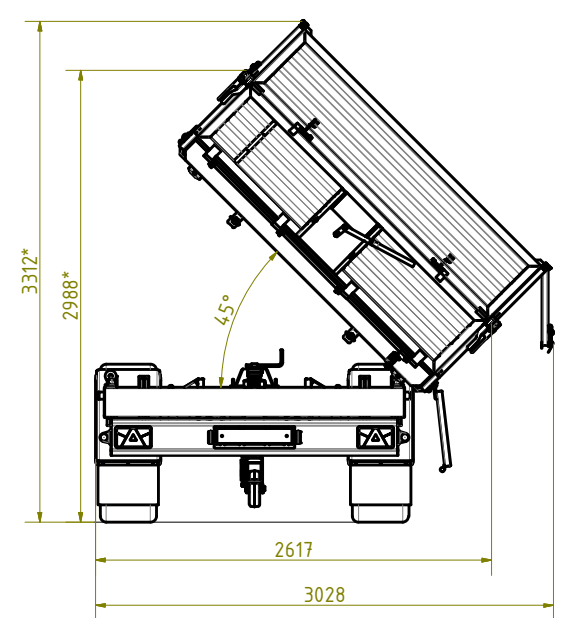
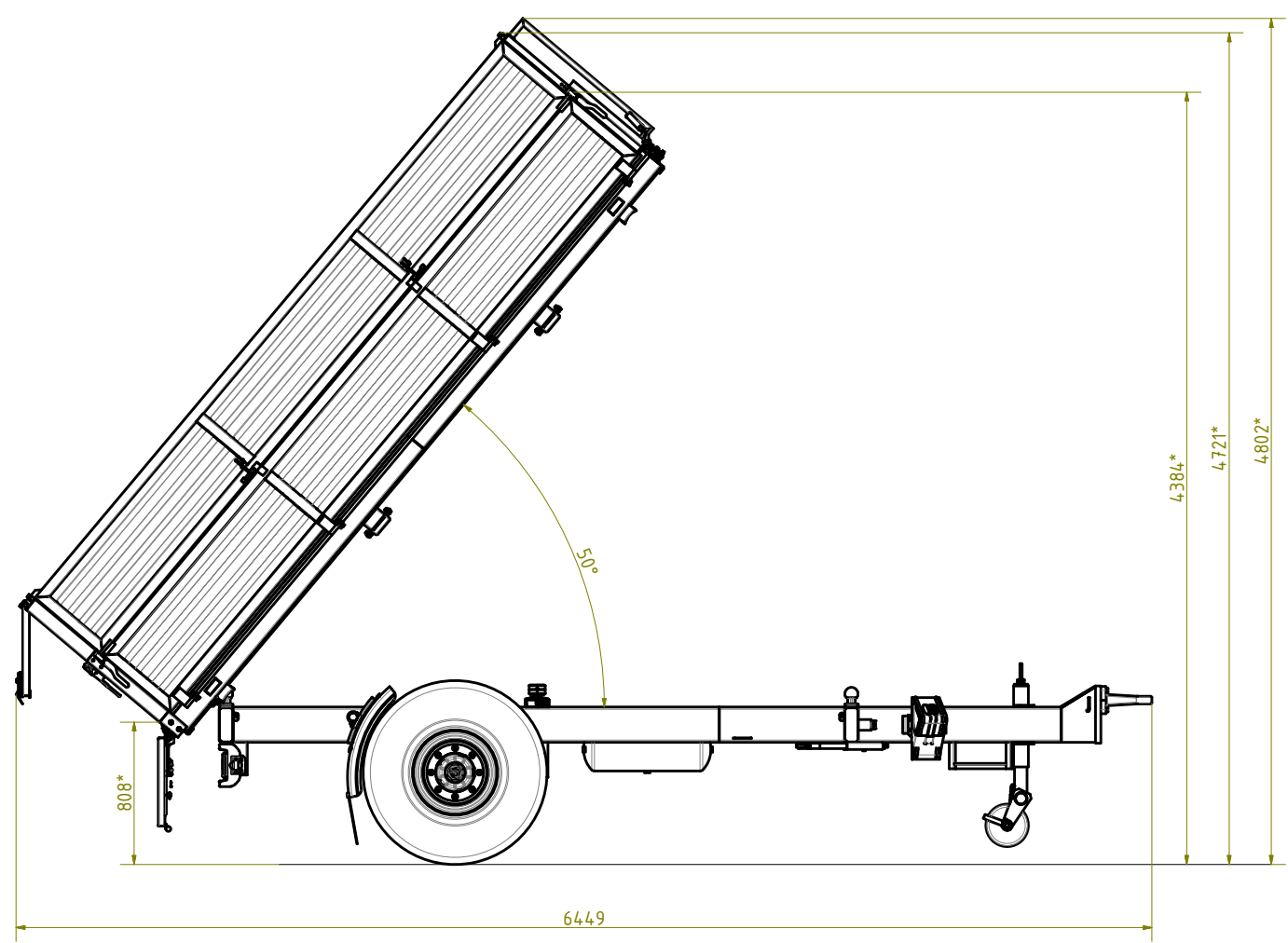


(\*) VALUE FOR TYRES 14.5/80-18  
 (\*\*) VALUE IN DEPEND OF EQUIPMENT AND TYRES

BASIC TECHNICAL PARAMETERS	
TYPE OF DRAWBAR SUSPENSION	UNSPRUNG
TYPE OF AXLE(S) SUSPENSION	UNSPRUNG
TRACK [mm]	1700
WHEEL BASE [mm]	-
MAX. ALLOWED SPEED [km/h]	25
OIL REQUIREMENTS [l]	7,5
TYRES AND DISCS	ACCORDING TO CHART
CONNECT DIMENSION OF DISC [mm]	Ø 220/Ø 275
NUMBERS/ DIMENSIONS WHEEL SCREWS	8/M18x1,5
TYPE OF CONNECTION DEVICE	TOWING EYE Ø 40
BASIC OUTSIDE DIMENSIONS	
LENGTH [mm]	5670
WIDTH [mm]	2385
HEIGHT [mm]: BASIC (*)	1642
WITH EXTENSION (*)	2189
HEIGHT OF CONNECT.DEVICE ABOVE GROUND [mm] (*)	765-930
DIMENSIONS AND PARAMETERS OF BODY FLOOR	
LENGTH [mm]	4180
WIDTH [mm]	2220
BASIC HEIGHT OF SIDES [mm]	500
HEIGHT OF EXTENSION [mm]	500
BODY VOLUME [m³]: BASIC	4,6
WITH EXTENSION	9,2
PLATE THICKNESS FLOOR/ SIDES [mm]	3/1,5
TIPP ANGLE TO BACK/ TO SIDE [°]	50/45
HEIGHT DURING TIPPING [mm]:	
TO BACK (WITHOUT/ WITH EXTENSION) (*)	4384/4721
TO SIDE (WITHOUT/ WITH EXTENSION) (*)	2989/3320
WEIGHTS	
SERVICE (WITH/ WITHOUT EXT.) [kg] (**)	1970/2180
PAYLOAD (WITH/ WITHOUT EXT.) [kg] (**)	6050/5840
HIGHEST ALLOWED/ TECHNICAL PERMISSIBLE [kg]	8020/8500
MAX. DRAWBAR LOAD [kg]	1000



ALTERNATIVES OF USED TYRES			
TYRE	DISC	TYRE DIAMETER [mm]	TYRE WIDTH [mm]
14.5/80-18	13x18	1045	372
DRAWN: ING. HALAMA      CONTROLLED: ING. PIKULA			
DATE: 27.03.2018			
PRODUCT: THREE WAY TIPPING SEMITRAILER			

TYPE NAME:	NS8.3	REVISION:	180511
COMMERCIAL NAME:	NS8.3		